

# HOW TO USE THE CINEMA MOUNT MARK II

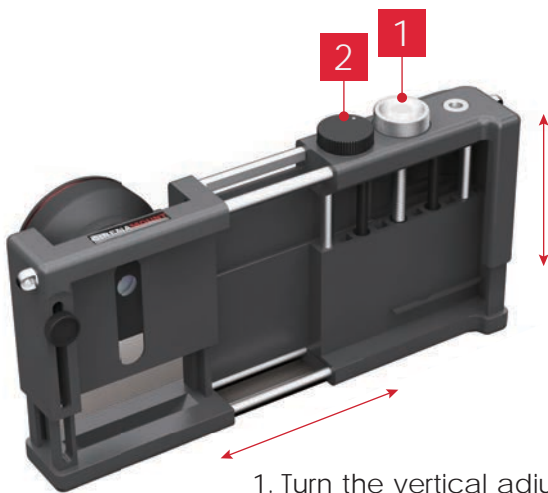


## UNIVERSAL DESIGN

The Cinema Mount's unique universal design can accommodate almost any phone in the market today. The adjustable rig combined with an adjustable lens mount allows you to position the lens to fit your needs.

The Cinema Mount's versatility is unmatched for a complete smartphone rig solution.

### Universal Design



1. Turn the vertical adjustment knob until the width of your phone fits in the mount.
2. Turn the horizontal adjustment knob and adjust the Cinema Mount Mark II to fit your smartphone



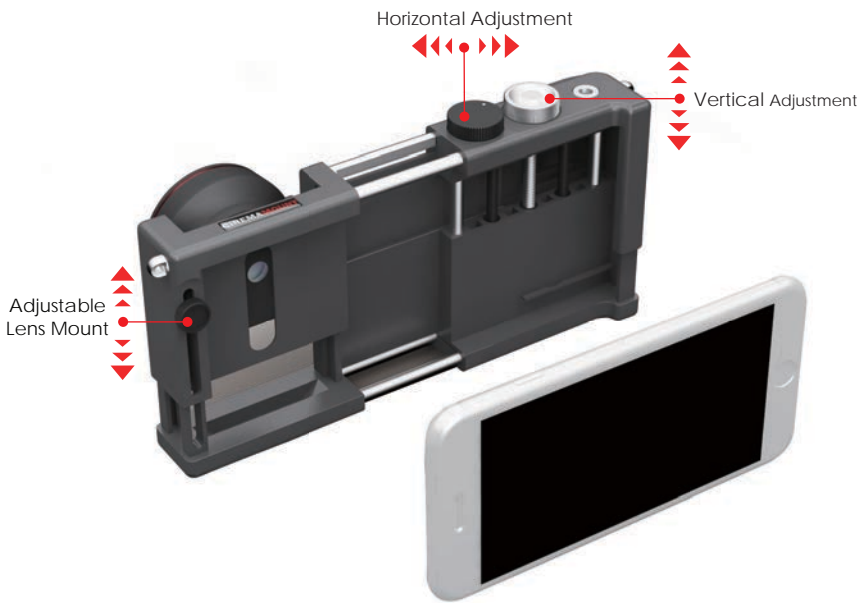
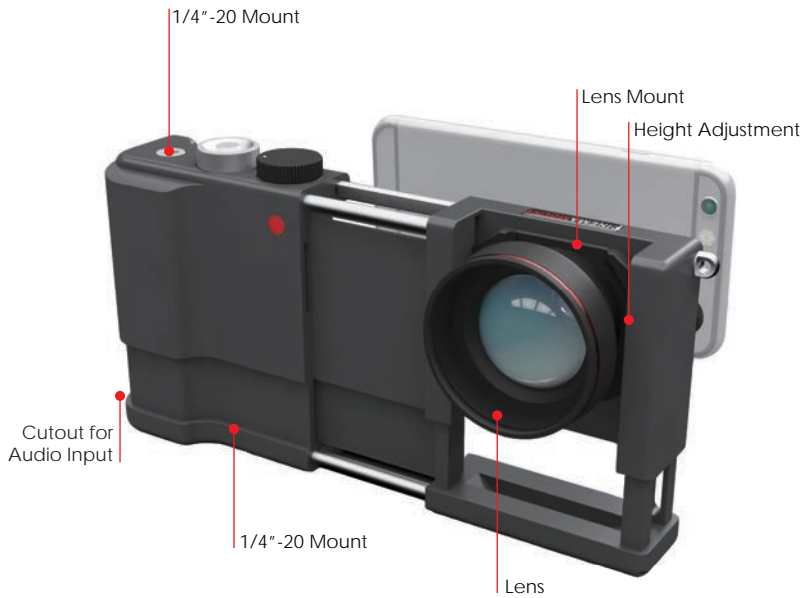
3. Adjust the position of the lens mount over your smartphone's camera lens.



4. Install the Filter Holder Adapter onto the lens. Slide the Filter Holder onto the Filter Holder Adapter and install the desired GND Filter.



5. Use the Cold Shoe Mount to attach various accessories to the Cinema Mount. (LED Light not included)



### 0.63X Wide Angle /Macro Lens



Design	2 elements 2 groups
Magnification Ratio	0.63X/5X
Coating	Multilayer Coated
Resolution(A*IS)	250lp/mm
Weight	86g

### 180° Fisheye Lens



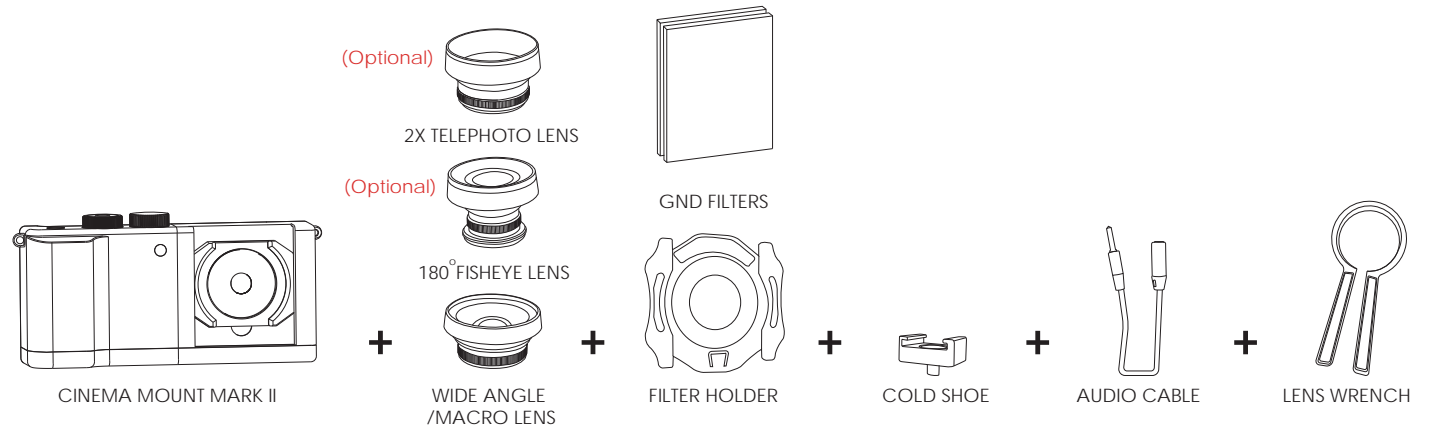
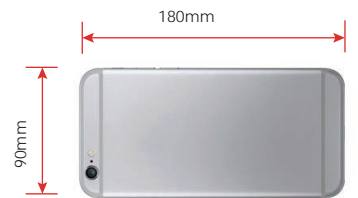
Design	2 elements 2 groups
Magnification Ratio	0.42X
Coating	Multilayer Coated
Resolution(A*IS)	200lp/mm
Weight	112g

### 2X Telephoto Lens



Design	2 elements 2 groups
Magnification Ratio	2X
Coating	Multilayer Coated
Resolution(A*IS)	250lp/mm
Weight	103g

### Compatible Phone Size



### Package Includes

